

# V-tex<sup>®</sup> scrubbers

## for gas cleaning

Technology  
for a  
sustainable future

Proven to remove a wide range of contaminants and particulates from gaseous streams, V-tex<sup>®</sup> scrubbing equipment is compact, highly reliable and cost effective. From laboratory scale to high volume manufacture, customers in many industries around the world have found V-tex<sup>®</sup> to be the ideal solution for the most demanding gas cleaning applications. Units are manufactured to meet your precise duties, the details below illustrate typical specifications.

Model type - Dimensions in mm						
	VX250	VX400	VX600	VX1000	VX1800	VX2800
A	900	1000	1100	1850	2250	3300
B	850	1100	1200	1600	2800	3800
C	1500	2000	2140	2690	3170	3800
D	550	600	600	800	N/A	N/A
E	N/A	300	400	600	600	1500

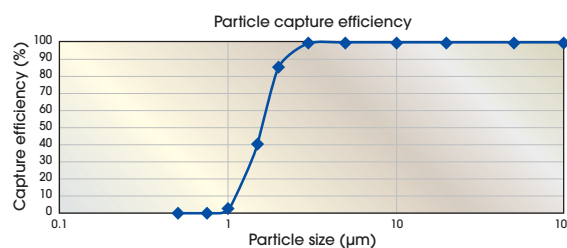
### Benefits of V-tex<sup>®</sup>

- No packing
- Is resistant to fouling
- Requires virtually no maintenance
- Deals with flow rates up to 15,000m<sup>3</sup>/hr per stage
- Only 20%-30% the size of a packed column with the same performance
- Can be manufactured from a wide range of materials

### Scrubbing Efficiency

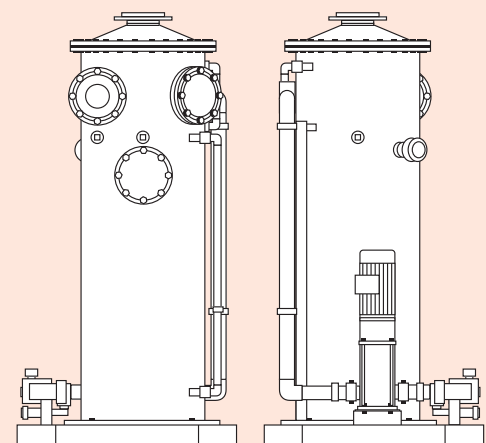
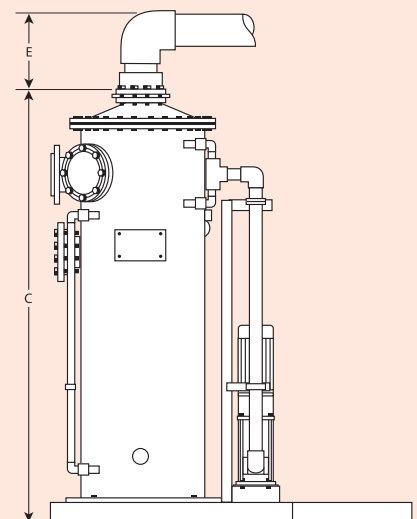
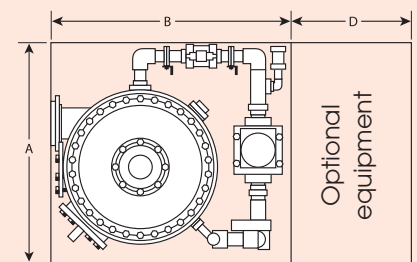
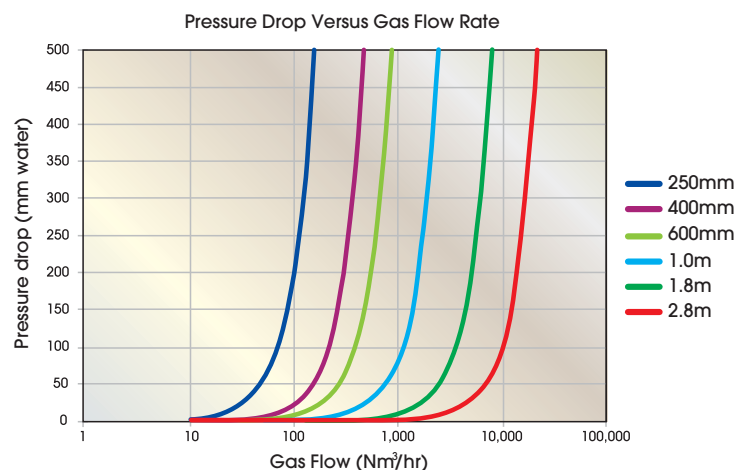
V-tex<sup>®</sup> typically exhibits a maximum removal efficiency of 99.9% for gaseous contaminants such as acid or alkali gases, halogens, and other soluble contaminants. Particulate abatement approaching 100% can be achieved.

This chart shows a typical capture efficiency curve.



### Pressure Drop

Gas side pressure drops will vary dependent on the gas flow rate. Pressure drops for the standard scrubber diameters as shown below.



## Standard parameters:

- Pressure range +/- 500mm WG
- Temperature range 10 - 50°C

Units are easily made to meet wider specifications.

## Additional equipment options:

- Fan and duct
- Heat exchanger
- Motor starters and isolators
- pH or Redox measurement
- Seal lute for overflow
- Dosing system and pump
- VA meter and pressure gauge
- Pump dry run protection
- Liquor flow indicator with integral low flow switch
- Hazardous area classification



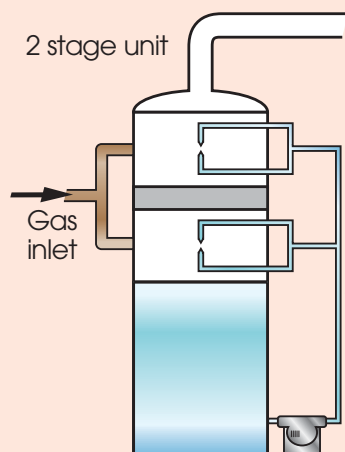
	VX250	VX400	VX600	VX1000	VX1800	VX2800
<b>Capacities</b>						
Maximum gas flow (Nm <sup>3</sup> /hr)	100	300	600	1700	6000	15000
<b>Scrubber vessel</b>						
Nominal dia (mm)	250	400	600	1000	1800	2800
Integral sump capacity (L)	25	85	300	1000	3800	7000
<b>Pump</b>						
Rated Power (kW)	0.75	1.1	2.2	4	11	22
<b>Connections</b>						
Chemical/water uPVC Union NB (mm)	15	15	20	25	50	50
Gas inlet (ASA 150 flange) NB (mm)	50	90	150	200	350	500
Gas outlet (ASA 150 flange) NB (mm)	50	90	125	200	350	500
Sample/bleed off uPVC Union NB (mm)	20	25	25	25	32	32
<b>Overflow</b>						
uPVC Union NB (mm)						
uPVC ASA 150 Flange NB (mm)	25	32	50	65	80	80
<b>Sump drain</b>						
uPVC Union NB (mm)	20	25	32	50	50	50

## Typical contaminants

Acetic Acid	HCl
Ammonia	HBr
Bromine	HF
Chlorine	SO <sub>2</sub>

Most other soluble contaminants can also be removed.

Multi-stage units are available for higher gas flow rates.



All V-tex® systems are appropriately CE marked to comply with relevant EC directives.



# ERG

**ERG Air Pollution Control Limited**  
Enviro-centre Enterprise House  
Foundry Lane Horsham  
West Sussex RH13 5PX UK

T +44 (0)1403 221000  
F +44 (0)1403 221001  
E info@ergapc.co.uk  
W www.ergapc.co.uk