

# V-tex<sup>®</sup> Scrubbers

for gas cleaning

Technology  
for a  
Sustainable Future

Proven to remove a wide range of contaminants and particulates from gaseous streams, V-tex<sup>®</sup> scrubbing equipment is compact, highly reliable and cost effective. From laboratory scale to high volume manufacture, customers in many industries around the world have found V-tex<sup>®</sup> to be the ideal solution for the most demanding gas cleaning applications. Units are manufactured to meet your precise duties, the details below illustrate typical specifications.

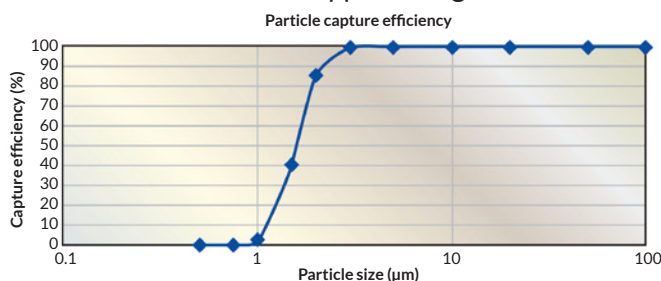
## Benefits of V-tex<sup>®</sup>

- No packing
- Is resistant to fouling
- Requires virtually no maintenance
- Deals with flow rates up to 15,000m<sup>3</sup>/hr per stage
- Only 20%-30% the size of a packed column with the same performance
- Can be manufactured from a wide range of materials

## Scrubbing Efficiency

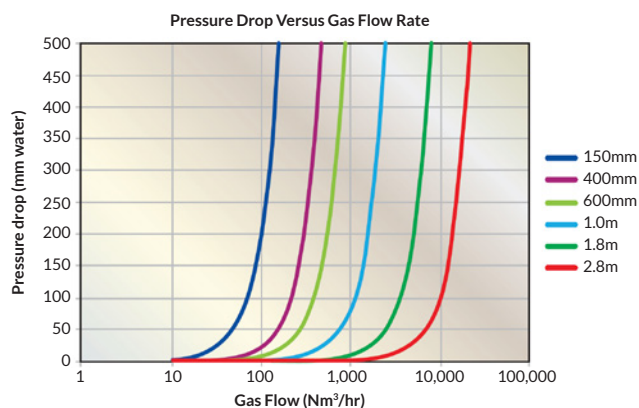
V-tex<sup>®</sup> typically exhibits a maximum removal efficiency of 99.9% for gaseous contaminants such as acid or alkali gases, halogens, and other soluble contaminants. Particulate abatement approaching 100% can be achieved.

This chart shows a typical capture efficiency curve.

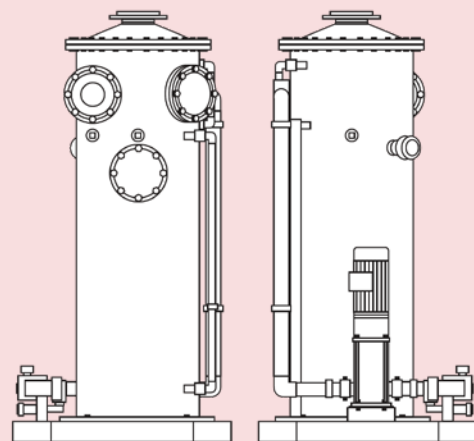
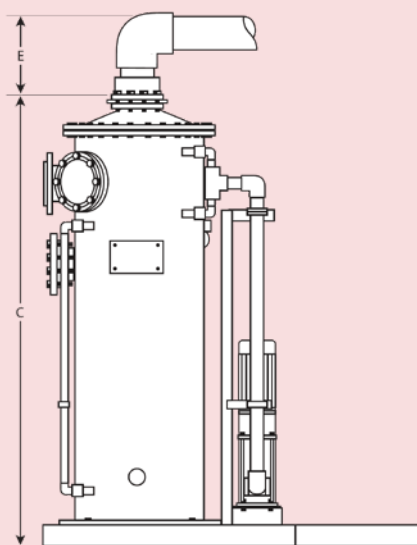
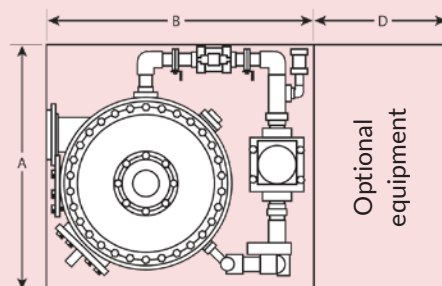


## Pressure Drop

Gas side pressure drops will vary dependent on the gas flow rate. Pressure drops for the standard scrubber diameters as shown below.



Model type - Dimensions in mm						
	VX250	VX400	VX600	VX1000	VX1800	VX2800
A	900	1000	1100	1850	2250	3300
B	850	1100	1200	1600	2800	3800
C	1500	2000	2140	2690	3170	3800
D	550	600	600	800	N/A	N/A
E	N/A	300	400	600	600	1500



# V-tex<sup>®</sup>

## Compact gas cleaning technology

Technology  
for a  
Sustainable Future

### Standard parameters

- Pressure range +/- 500mm WG
- Temperature range 10 - 50°C

Units are easily made to meet wider specifications.

### Additional equipment options:

- Fan and duct
- Heat exchanger
- Motor starters and isolators
- pH or Redox measurement
- Seal lute for overflow
- Dosing system and pump
- VA meter and pressure gauge
- Pump dry run protection
- Liquor flow indicator with integral low flow switch
- Hazardous area classification

	VX250	VX400	VX600	VX1000	VX1800	VX2800
<b>Capacities</b>						
Maximum gas flow (Nm <sup>3</sup> /hr)	100	300	600	1700	6000	15000
<b>Scrubber vessel</b>						
Nominal dia (mm)	250	400	600	1000	1800	2800
Integral sump capacity (L)	25	85	300	1000	3800	7000
<b>Pump</b>						
Rated Power (kW)	0.75	1.1	2.2	4	11	22
<b>Connections</b>						
<b>Chemical/water</b> uPVC Union NB (mm)	15	15	20	25	50	50
<b>Gas inlet</b> (ASA 150 flange) NB (mm)	50	90	150	200	350	500
<b>Gas outlet</b> (ASA 150 flange) NB (mm)	50	90	125	200	350	500
<b>Sample/bleed off</b> uPVC Union NB (mm)	20	25	25	25	32	32
<b>Overflow</b> uPVC Union NB (mm) uPVC ASA 150 Flange NB (mm)	25	32	50	65	80	80
<b>Sump drain</b> uPVC Union NB (mm)	20	25	32	50	50	50

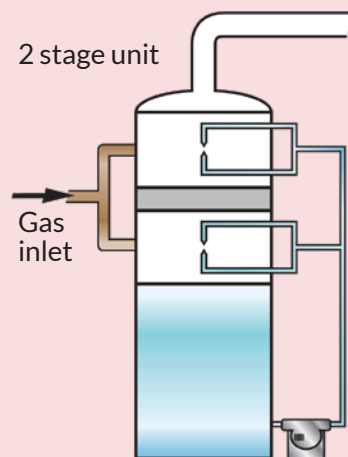


### Typical contaminants

Acetic Acid	HCl
Ammonia	HBr
Bromine	HF
Chlorine	SO <sub>2</sub>

Most other soluble contaminants can also be removed.

Multi-stage units are available for higher gas flow rates.



**CE** All V-tex systems are appropriately CE marked to comply with relevant EC directives.